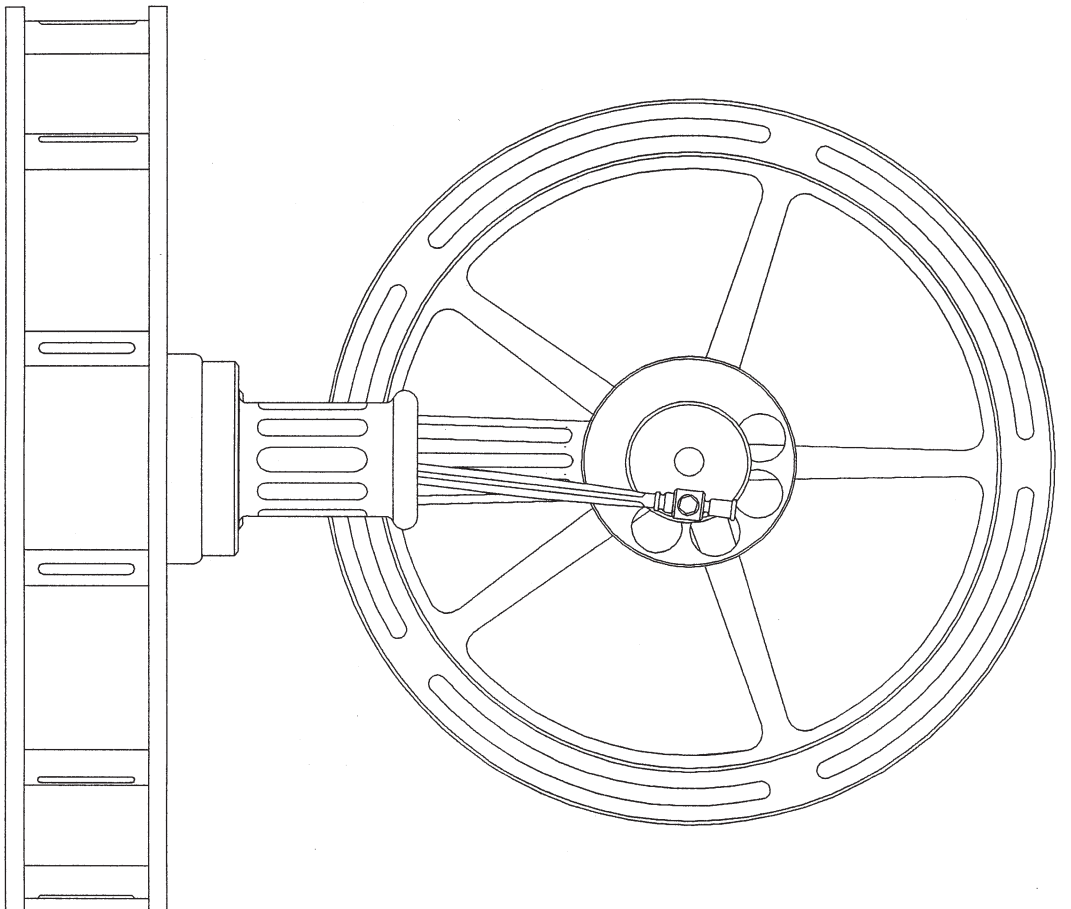


Side Elevation



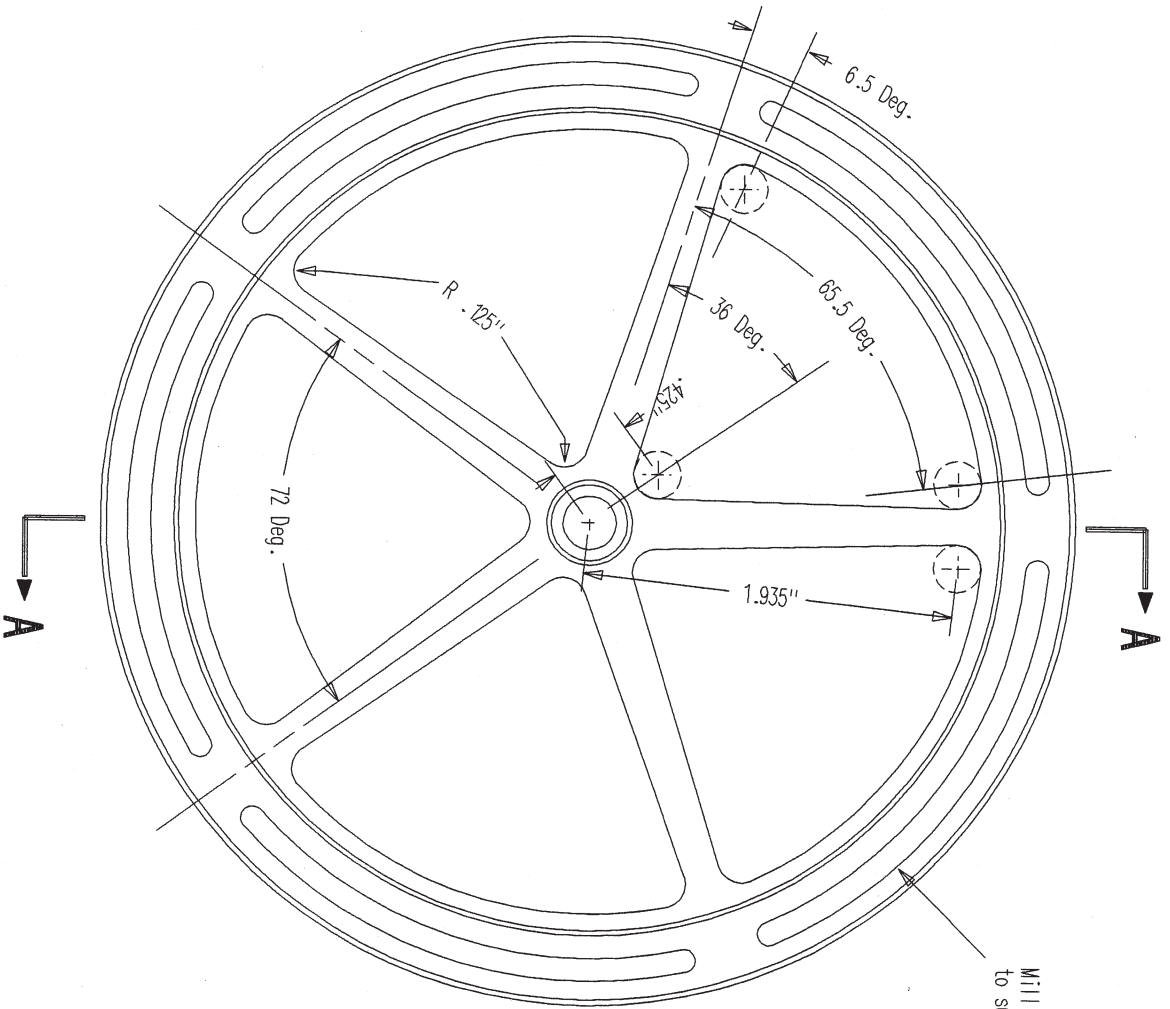
Front Elevation

Scale: This sheet is 75% actual size, all others are full size.

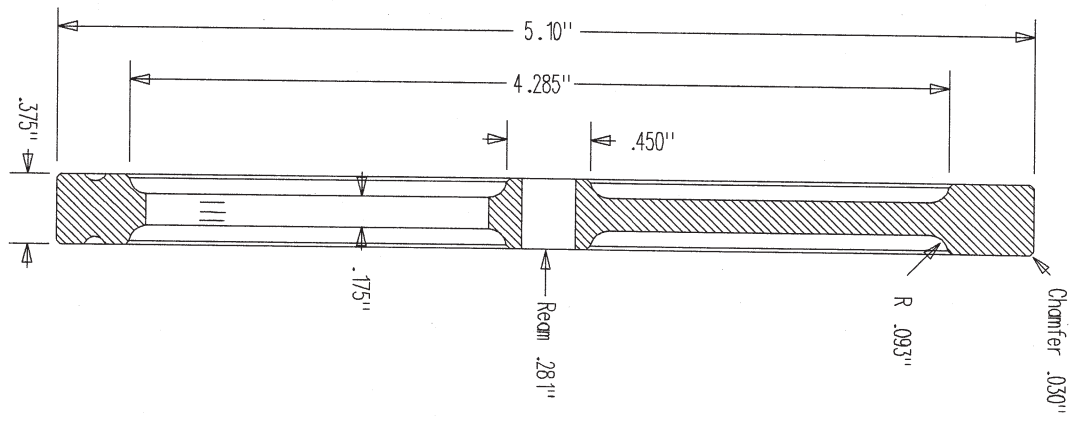
Notice

It is a violation of U.S. and international copyright law to make copies of these plan sheets for sale, give away or any other form of distribution by any means without the author's written permission. Copies may only be made for on site use by the original purchaser.

Jerry E. Howell		Description: "Miser" - Low Temp Stirling Engine	
3900 Beckel Drive Colorado Springs, CO 80906		Sheet # 1	Date: 01/18/95 By: Jerry E. Howell
Model Project Plans & Kits		© Copyright 1995 by Jerry E. Howell - All rights reserved.	



Mill flutes on both faces of flywheel to suit using .125" dia. ball end mill.



Section A-A

Flywheel
Material: Aluminum

Jerry E. Howell	
3900 Beasel Drive Colorado Springs, CO 80906 Model Project Plans & Kits	
Description: "Miser" - Low Temp Stirling Engine	Sheet # 8
Date: 01/18/95	By: Jerry E. Howell
© Copyright 1995 by Jerry E. Howell - All rights reserved.	