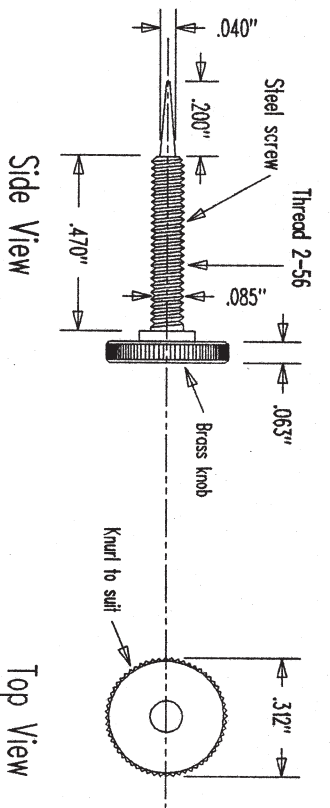
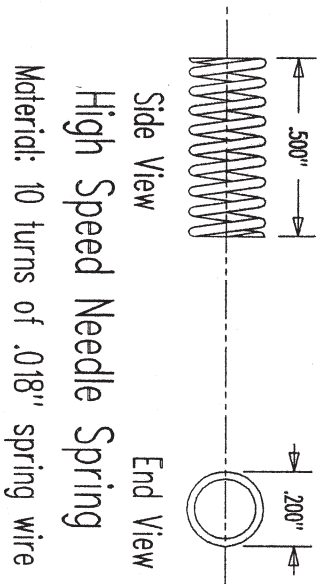


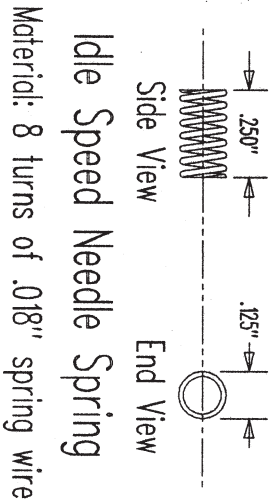
High Speed Needle Material: Steel & Brass



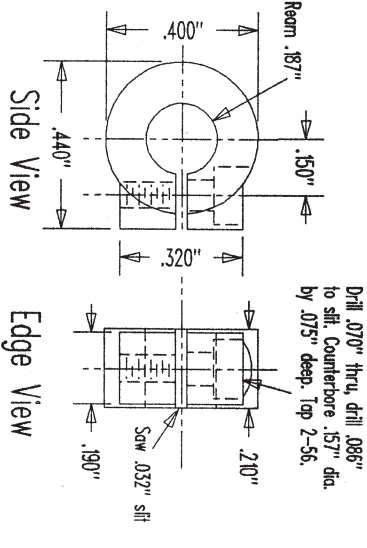
Idle Speed Needle Material: Steel & Brass



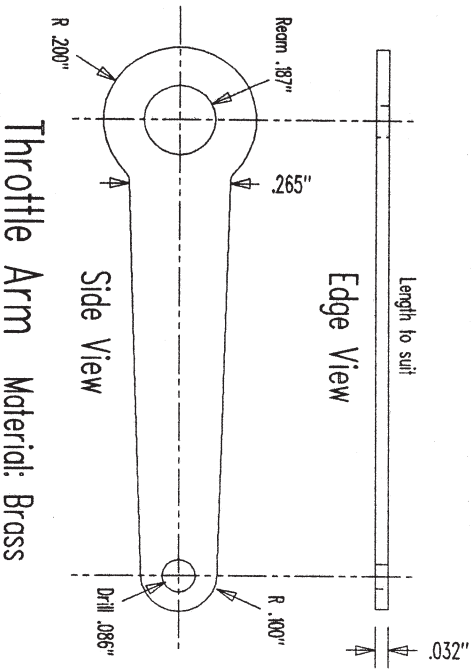
High Speed Needle Spring
Material: 10 turns of .018" spring wire



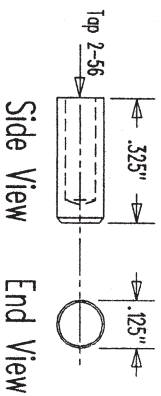
Idle Speed Needle Spring
Material: 8 turns of .018" spring wire



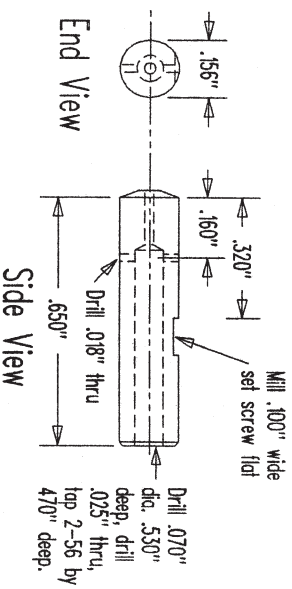
Throttle Arm Hub Material: Brass



Throttle Arm Material: Brass



Throttle Arm Handle
Material: Brass



Spray Bar Material: Brass

Carburetor Parts (Twice Actual Size)

Jerry E. Howell		
3980 Becket Drive Colorado Springs, CO 80906 Model Project Plans & Kits		
Project: Howell 2-Jet Throttle	Sheet # 4	Sheet revision: A
Date: 02/10/06		
Project designed and drawn by: Jerry E. Howell		
© Copyright 2006 by Jerry E. Howell - All rights reserved.		